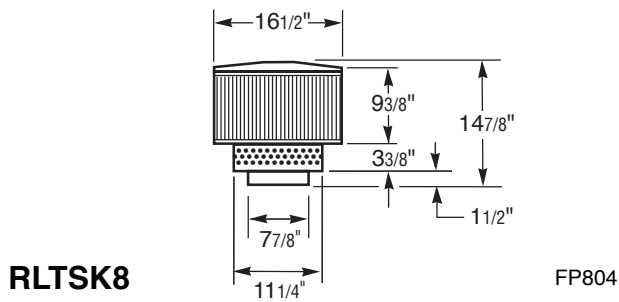
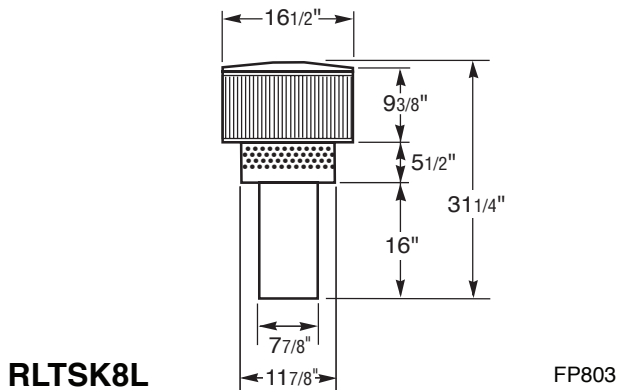


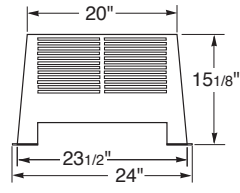
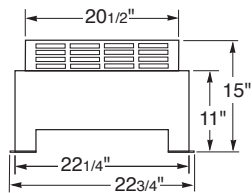
CONTEMPORARY TERMINATIONS



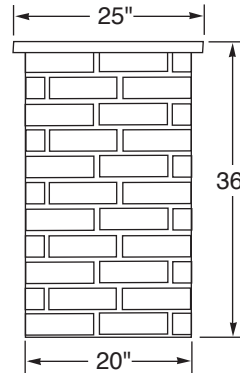
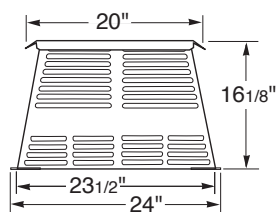
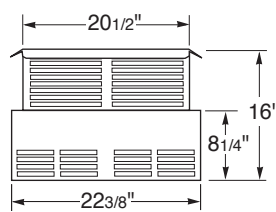
CONTEMPORARY CHASE TERMINATIONS



SHROUDS



TRADITIONAL CHASE TOP/HOUSING



*Chimney Extension (202036) is an option to extend the S20B 36 inches higher. S20B must be used with SLTSK8 or PLTSK8.

FIREPLACE FACTS

SHR36 SUPERHEARTH® SERIES

FEATURES:

- 36-Inch Wide x 24 inch High Firebox Opening
- 600 Square Inch Hearth Area
- Full Refractory Lined Firebox Herringbone Pattern
- Fully Insulated Construction

MINIMUM FLOOR AREA:

- 47" W X 26 3/4" D

MINIMUM NON-COMBUSTIBLE HEARTH EXTENSION AREA:

- 61 1/2" W x 20" D
- Requires 1/2" thick CFM Corporation EH2416 Insulation
- Board Between Combustible Floor and Non-Combustible Covering

OPTIONAL ACCESSORIES:

- AK-MST - Outside Air Kit Termination*
- 4" Rd. Class 1 Duct (Not Supplied)
- 40 Ft. Maximum Run
- (4) 90° Elbows Maximum (Not Supplied)
- Wood Mantels, Trim Kits and Mantel Shelves (See Mantel Section) 12" Minimum clearance above fireplace opening

* Required for all installations in Canada.

GLASS DOORS

- 36SHGDKBK - 36" Bi-fold Glass Door Kit Black w/Black Track
- 36SHGDKBB - 36" Glass Door Kit Brushed Brass w/Black Track
- 36SHGDKDP - 36" Bi-fold Glass Door Kit Polished Brass w/Black Track
- 36SHGDKS - 36" Bi-fold Glass Door Kit Pewter w/Black Track

FLUE SYSTEM

11" TWO-WALL 'CF' SYSTEM

SPECIFICATION:

- 11" I.D.
- 13 3/8" O.D.
- 2" Clearance to Combustible Materials
- 17 1/2" x 17 1/2" Minimum Roof/Ceiling Opening

The Fireplace Facts Information Sheets are for quick reference only and are subject to change without notice. Actual fireplace instructions must abide by specifications provided with each product

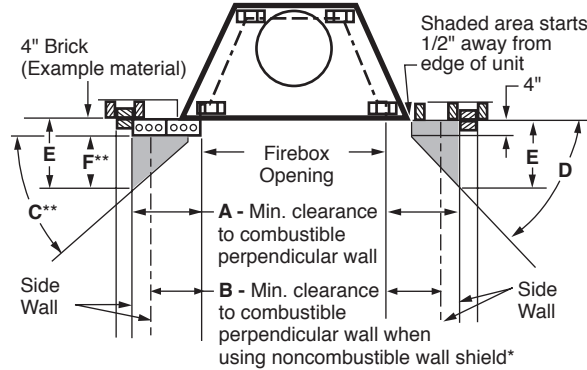


MINIMUM WALL CLEARANCES

MINIMUM HEARTH EXTENSION DIMENSIONS

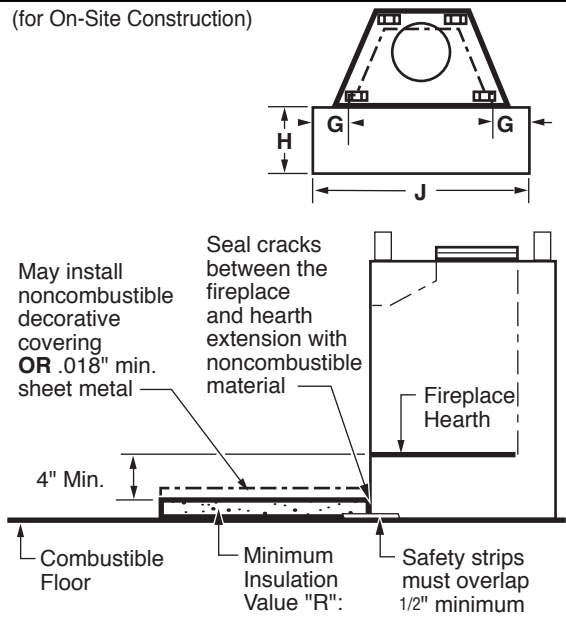
WITH Noncombustible Surround Facing

WITHOUT Noncombustible Surround Facing



■ Combustible material permitted within shaded area.
 * Noncombustible wall shield requires 1" CFM Corporation EH2416 insulation (minimum R Value = 1.85) between decorative noncombustible rigid covering and combustible wall. Minimum height and width is 40" x 40".
 ** Dimension/degree of angle will vary depending on thickness of noncombustible surround facing.

(for On-Site Construction)

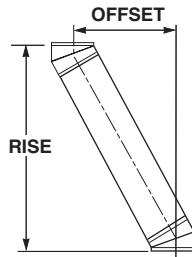


	A	B	C	D	E	F	G	H	J
SHR36	20" (508 mm)	12" (305 mm)	35°	42°	18" (457 mm)	14" (356 mm)	8" (203 mm)	16" (406 mm)	52" (1321 mm)

Combustible side wall protection and hearth extension dimensions.

FP532SHR

30° OFFSET ELBOW CHART



1'	1 1/2'	3'	4'	Chimney Support	Offset	Rise	1'	1 1/2'	3'	4'	Chimney Support	Offset	Rise
0	0	0	0	0	3"	11"	0	1	3	0	1	64 1/2"	117 1/2"
1	0	0	0	0	8 1/4"	20"	0	0	1	2	1	68 1/4"	124"
0	1	0	0	0	11 1/4"	25 1/4"	0	1	2	1	1	70 1/2"	128"
2	0	0	0	0	13 1/2"	29 1/4"	0	0	0	3	1	74 1/4"	134 1/2"
1	1	0	0	0	16 1/2"	34 1/4"	0	1	1	2	2	78"	140 3/4"
0	0	1	0	0	20 1/4"	40 3/4"	0	0	3	1	2	81"	146"
2	1	0	0	0	21 3/4"	43 1/2"	0	1	0	3	2	84"	151 1/4"
0	0	0	1	0	26 1/4"	51 1/4"	0	0	2	2	2	87"	156 1/2"
0	1	1	0	0	28 1/2"	55 1/4"	0	1	3	1	2	89 1/4"	160 1/4"
1	0	0	1	0	31 1/2"	60 1/4"	0	0	1	3	2	93"	166 3/4"
0	1	0	1	0	34 1/2"	65 1/2"	0	1	2	2	2	95 1/4"	170 3/4"
0	0	2	0	0	37 1/2"	70 3/4"	0	0	0	4	2	99 1/4"	177 3/4"
1	1	0	1	1	41 1/2"	77 3/4"	0	1	1	3	2	101 1/4"	181 3/4"
0	0	1	1	1	45"	83 3/4"	0	0	3	2	2	104 1/4"	186 1/4"
0	1	2	0	1	47 1/4"	87 1/2"	0	1	0	4	2	107 1/4"	191 1/2"
0	0	0	2	1	51"	94"	0	0	2	3	2	110 1/4"	196 3/4"
0	1	1	1	1	53 1/4"	98"	0	1	3	2	3	114"	203 1/4"
0	0	3	0	1	56 1/4"	103 1/4"	0	0	1	4	3	117 3/4"	209 3/4"
0	1	0	2	1	59 1/4"	108 1/2"	0	1	2	3	3	120"	213 1/2"
0	0	2	1	1	62 1/4"	113 1/2"	0	0	0	5	3	123 3/4"	220"

CHIMNEY SECTION CHART

Height	Intermediate Sections				Height	Intermediate Sections			
	1'	1 1/2'	3'	4'		1'	1 1/2'	3'	4'
35 1/2"	0	0	1	0	209 1/2"	0	0	2	3
38 1/2"	2	1	0	0	214"	0	1	3	2
47 1/2"	0	0	0	1	221 1/2"	0	0	1	4
52"	0	1	1	0	226"	0	1	2	3
58"	1	0	0	1	233 1/2"	0	0	0	5
64"	0	1	0	1	338"	0	1	1	4
70"	0	0	2	0	244"	0	0	3	3
70 1/2"	1	1	0	1	250"	0	1	0	5
82"	0	0	1	1	256"	0	0	2	4
86 1/2"	0	1	0	0	259 1/2"	1	1	0	3
94"	0	0	0	2	268"	0	0	1	5
98 1/2"	0	1	1	1	272 1/2"	0	1	2	4
104 1/2"	0	0	3	0	280"	0	0	0	6
110 1/2"	0	1	0	2	284 1/2"	0	1	1	5
116 1/2"	0	0	2	1	290 1/2"	0	0	3	4
121"	0	1	3	0	296 1/2"	0	0	0	6
128 1/2"	0	0	1	2	302 1/2"	0	0	2	5
133"	0	1	2	1	307"	0	1	3	4
140 1/2"	0	0	0	3	314 1/2"	0	0	1	6
145"	0	1	1	2	319"	0	1	2	5
151"	0	0	3	1	326 1/2"	0	0	0	7
157"	0	1	0	3	331"	0	1	1	6
163"	0	0	2	2	337"	0	0	3	5
167 1/2"	0	1	3	1	343"	0	1	0	7
175"	0	0	1	3	349"	0	0	2	6
179 1/2"	0	1	2	2	353"	0	1	3	5
187"	0	0	0	4	361"	0	0	1	7
191 1/2"	0	1	1	3	365 1/2"	0	1	2	6
197 1/2"	0	0	3	2	373"	0	0	0	8
203 1/2"	0	1	0	4					

PRODUCT LISTING

FIREPLACE/CHIMNEY:

- SHR36 Listed UL 127 / ULC-S610 Standard for Factory Built Fireplaces
- Various city and state listings are available upon request.

INSULATION BOARD (CFM CORPORATION EH2416):

- Underwriters' Laboratories Report No. MH6018 Volume 2
 - Thermal Conductivity ('K') is 0.458/IN.
 - Total R-value is 2.18/IN.